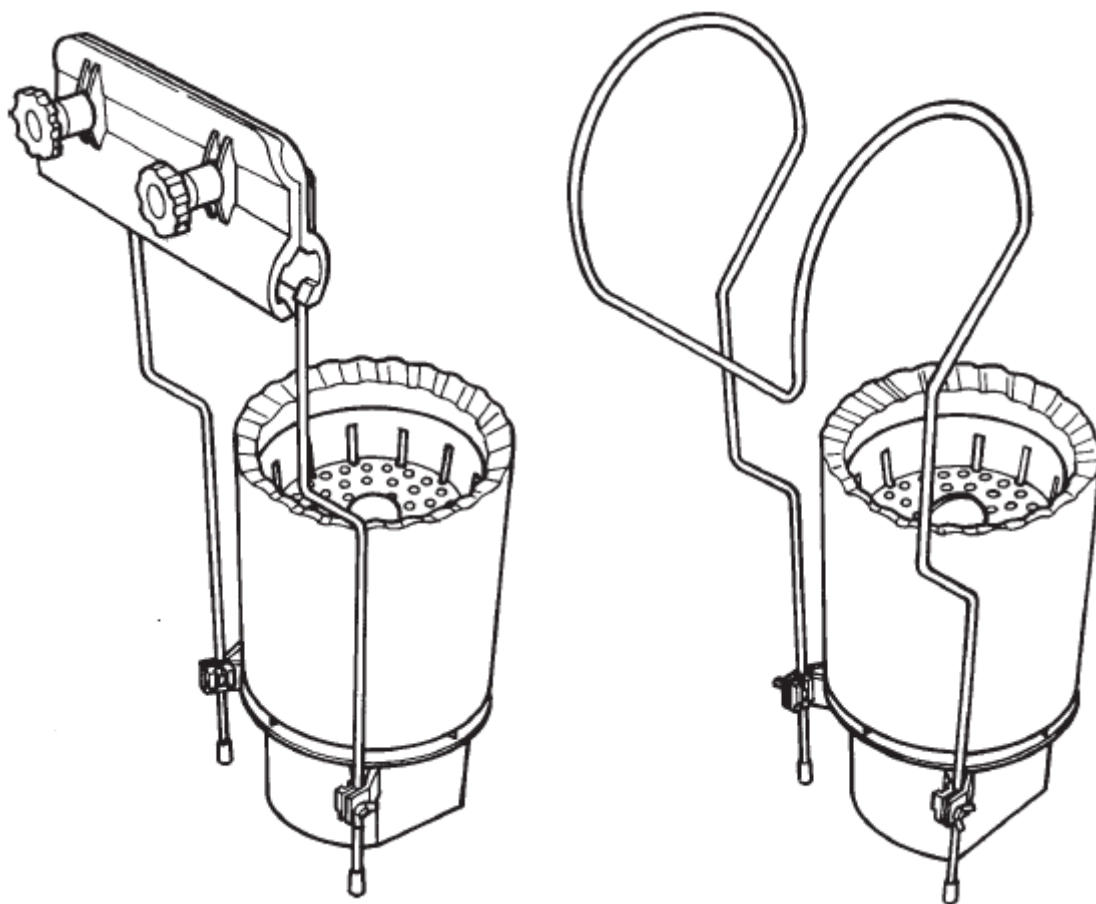


SKIMMER

2000 (230 [V]) – 2000 (12 [V])

4000 (230 [V]) – 4000 (12 [V])



MANUALE UTENTE
ISTRUCTION MANUAL
GUÍA DEL USUARIO
GUIDE DE L'UTILISATEUR
BENUTZERHANDBUCH

1. PRECAUTION AND SAFETY RULES.

- Read carefully this manual before installing the apparatus and meticulously follow the instructions during the installation and its very use.
- Keep this manual for future consultations regarding the functioning of the Skimmer.
- Never run the filter when there are people in the pool.
- The filter has been projected and realized for above ground fresh water domestic pools.
- Filters equipped with a transformer (12 [V]) may be placed at the edge of the pool but electrical connections of the transformer must be at least 3.5 [m] from the edge of the pool.
- Make sure the electrical plant complies with international prescriptions in force.
- Check whether the product is compatible with the characteristics of your electrical plant.
- Never pull the electrical cable. If the cable is damaged, the product must be demolished.
- The pump cable must be connected to the power supply by a 30 [mA] differential switch.
- Do not operate the apparatus without water.
- Do not ever touch the operating apparatus with wet hands or body or put hands in water while the pump is running.
- Always disconnect the electrical input tap when the apparatus must be handled.
- Make sure the pavement is dry before handling the electrical system.
- Do not place the apparatus where it can get wet, since it can cause electroshock.
- Do not allow children or adults to lean against or to sit on the apparatus.
- Once the filter is installed, its plug must be easily accessible
- If the electrical cable is damaged, it can not be replaced and the pump must be scrapped.
- Only for domestic use.
- Do not let children play with the appliance, e.g. do not allow them to sit in the drawers or swing on the door. This appliance is not intended for use by persons (including children) with reduced physical, sensory or mental capabilities or lack of experience and knowledge unless they have been given initial supervision or instruction concerning use of the appliance by a person responsible for their safety. Children should be supervised to ensure that they do not play with the appliance.
- Maximum water temperature: 35 [°C].
- Minimum water temperature: 4 [°C].

2. PACKAGE COMPONENTS.

The Skimmer that you have just purchased is a highly functional device with an innovative design, it consists of different components which are necessary for filtering water, the filter and pump are part of the same apparatus. The main components of this enbloc are:

Quant.	Denomination	
1	Float	
1	Body	
1	Base	
1	Filter frame	
3	Filtering foams	(Models equipped with foams)
1	Cartridge	(Models equipped with cartridge)
1	Hook	(Adjustable, Flexi)
1	Support rod	(Pool in sheet metal or tube)
1	Support clamp	(Pool in sheet metal or tube)
2	Support fastener knob	(Pool in sheet metal or tube)
2	Support fastener nut	(Pool in sheet metal or tube)
1	Support rod hook	Self-bearing pool
2	Rod stop	
2	Finned fastening screws and washer	
1	Transformer	

Make sure that the equipment includes all the components.

3. DESCRIPTION (FIG. 1).

- | | | |
|---------------|------------------|--------------------|
| 1. Float. | 8. Pump support | 14. Support clamp. |
| 2. Body. | 9. Pump. | 15. Knob. |
| 3. Base. | 10. Rod hook. | 16. PVC washer. |
| 4. Frame. | 11. Support rod. | 17. Nut. |
| 5. Sponges. | 12. Rod stop. | 18. Transformer. |
| 6. Cartridge. | 13. Fins+washer. | |

4. INSTALLATION.

4.1. NECESSARY FOR A CORRECT INSTALLATION.

Due to an easy installing form, this apparatus can be assembled by ONE ADULT PERSON, in about ½ HOUR, carefully reading and correctly following the instructions indicated in the manual.

4.2. POSITIONING.

Position the Skimmer in the direction of the strongest winds; this favors the transport of dirt that remains on the surface of the pool towards the filter. **The transformer must be installed at least 3.5 [m] from the edge of the pool. See the drawing (Fig. 3).**

INSTALLATION OF THE SUPPORT:

- Insert the support rod into the body seating and fasten it with the nuts and throttle valves (Fig. 4).
- Bring the group (body+support) to the edge of the pool.
- Adjustable hook: loosen the two support fastener knobs to open the clamp and put it half-way on the edge of the pool. Then tighten the two support fastener knobs until they are correctly fastened on the edge (Fig. 5a).
- Flexi hook: press on the float of the self-bearing pool and put it in the support hook (Fig. 5b).
- In each case, balance the apparatus so that it remains in a vertical position (Fig. 6).

LEVELLING AND FASTENING THE SKIMMER:

- The apparatus must be well-levelled for it to function correctly.
- For this purpose loosen the throttle valves and make the Skimmer slide until the float is suspended on the water. (Fig. 6)
- Once it is positioned, fasten it by tightening the throttle valves.

POSITIONING THE FOAMS (for models equipped with foams):

- Take the float and the frame out of the body of the Skimmer.
- Place the foams in the upper part of the Skimmer in the correct order, starting from the one with the smallest holes, and finishing with the one with biggest holes, in such a way that the latter remains on top. (Fig. 6).
- Press until the foams are properly inserted in the Skimmer.
- Put the frame and the float back into the body of the Skimmer.

POSITIONING THE CARTRIDGE (for models equipped with cartridge):

- Take the float and the frame out of the body of the Skimmer.
- Place the cartridge in the upper part of the Skimmer in the correct position for its anchorage.
- Press until the cartridge is properly inserted in the Skimmer.
- Put the frame and the float back into the body of the Skimmer.

ELECTRICAL CONNECTION:

- Make sure the electrical plant complies with international prescriptions in force.
- Check whether the product is compatible with the characteristics of your electrical plant.
- The equipment must be connected to a 220/230 V. ca and 50 Hz outlet, with earth connection.
- An omnipolar switch must be used to clear tension from the filter when it is not being used and a 30 mA. differential must be used to prevent electric discharges. (Not provided. They can be purchased in electrical components stores).
- THE TRASFORMER HAS TO BE PLACED AT A MINIMUM DISTANCE OF 3,5 [m] FROM THE EDGE OF THE POOL.**

5. OPERATION.

The operation of this equipment is based on the retention ability of the filtering sponges or cartridge (according to the model) that are found inside it. To maintain the pool water in good condition, products such as chlorine, products for algae, etc., which are recommended by the manufacturer, must be used (see pool manual). The period of use, the environment, pollen, trees, and how often the pool is used are all factors which determine how dirty the pool water is; the sponges or cartridge must therefore be washed more or less frequently in accordance (see washing 4.2).

NEVER INTRODUCE CHEMICALS IN THE BASKET THROUGH THE FOAMS OR THE CARTRIDGE. THIS WILL DAMAGE THE MATERIALS OF THE APPARATUS AND WILL REDUCE ITS EFFICIENCY.

DO NOT USE FLOCCULATING AGENT!

5.1. FILTERING.

To start the equipment, check first that the pool is not being used then plug in the apparatus. The equipment lasts longer if the period of continuous use does not exceed 4 hours. Quantity of water to be filtered depends on the volume in m³ of water in the pool, in relation to the flow in m³/h of the different models of the apparatus. Let the motor rest for at least 2 [h] between one operation and another.

$$\frac{\text{Pool volume in m}^3}{\text{Filter flow in m}^3/\text{h}} = \text{hours required}$$

In starting the filtering treatment, carefully respect the indicated resting periods. How much higher is the temperature of the water in the pool, it is recommended to increase the operating time of the filter.

5.2. WASHING THE SPONGES AND CARTRIDGE.

Washing the sponges or the cartridge every week (or every 30 days) is recommended. For washing, carry out the following:

- Disconnect the equipment from the electrical outlet.
- Take out the float and frame to extract the sponges or cartridge from the body of the Skimmer.
- Put the sponges or cartridge under a bolt of water with a low-pressure rubber garden hose, until they are clean (Fig. 7).
- Before putting the sponges or cartridge back into the apparatus, clean the inside of its seating with the rubber hose.
- Make sure it is positioned correctly according to the specified order, in the case of the sponges (Fig. 6).
- After various washing cycles, substituting the sponges or cartridge could be necessary.

6. ELECTRICAL COMPONENTS.

To guarantee electrical safety, the equipment is fitted with an electrical unit protected against the entering of water, in the case of the cable or one of its components deteriorating, the entire electrical unit must be substituted.

None of the components of the electrical unit must be mishandled, this could make the equipment completely unsafe.

6.1. REPLACEMENT OF THE ELECTRICAL UNIT.

In the case of the cable or one of its components deteriorating, carry out the following:

- Disconnect the equipment from the electrical outlet.
- Disassemble the equipment and take it out of the pool.
- Disconnect the equipment from the transformer.
- Unfasten the four screws which fasten the base, and carefully pull it towards the upper part of the pump+cables to then be substituted.
- Position the new pump by passing the cable under the base.
- Fasten the four screws and fasten the base again, then connect the equipment to the transformer.
- Reassemble the equipment in the pool by following the instructions in the paragraph INSTALLATION in this manual.

ATTENTION: the transformer is equipped with an auto restoring thermo-protector, that interrupts the electrical input when the internal temperature gets too high. Once the temperature reaches again an adequate level, the transformer starts again to work correctly.

7. WINTER SEASON–MAINTENANCE.

To guarantee the preservation of the equipment during the winter season, when the equipment is not used for long periods of time, the equipment must be covered, therefore it must be disassembled from the pool, all of its components must be dried using a soft cloth or paper towel as to not scratch them, keeping them in their original package in a dry place is recommended. Taking advantage of this period to visually check the state of the cable and all the other electrical components is advisable and if substituting them is necessary, follow the instructions described in the paragraph ELECTRICAL COMPONENTS.

After the winter season the equipment can be installed again as if it were new.

SYMPTOM	CAUSE	SOLUTION
The motor does not start.	Lack of current in the electric line.	Check that there is current in the electric line.
The Skimmer does not filter, but water enters into the pool.	The sponges or cartridge have not been correctly assembled.	Check their correct position inside the Skimmer.
The Skimmer returns dirty water to the pool.	The sponges or cartridge are worn.	Substitute with new sponges or cartridge.
	The sponges or cartridge are dirty due to use.	Washing.
The filter produces little flow.	The sponges or cartridge are dirty due to use.	Washing.

8. GUARANTEE.

8.1. GENERAL ASPECTS.

- i. In accordance with these prescriptions, the dealer guarantees that the Product covered by this guarantee ("the Product") does not have any conformity defects on delivery.
- ii. The Guarantee Period for the Product is two (2) years, calculated from the moment in which it is delivered to the buyer.
- iii. Should a conformity defect of the Product occur and should the buyer notify it to the dealer during the Guarantee period, the dealer must repair or replace the Product at his expense and at the site he retains most suitable, unless this is impossible or of excessive expense.
- iv. Should it not be possible to repair or replace the Product, the buyer can demand a proportional price reduction or, if the conformity defect is sufficiently significant, the resolution of the sales contract.
- v. The parts replaced or repaired under this guarantee do not extend the duration of the guarantee of the original Product; they will however benefit of their own guarantee.
- vi. For the validity of this guarantee, the buyer must confirm the purchase and delivery date of the Product.
- vii. When the buyer gives notice of conformity defects more than six months after delivery of the Product, the buyer must prove the origin and the existence of the defect he has found.
- viii. This Guarantee Certificate does not limit or prejudice the consumers' rights under national laws of mandatory type.

8.2. PARTICULAR TERMS.

- i. This guarantee covers the products to which this manual refers.
- ii. This Guarantee Certificate can be only applied to the countries in the European Union.
- iii. For the validity of this guarantee, the buyer must strictly follow the Manufacturer's indications included in the documentation delivered with the Product, when such documentation is applicable to the Product range and model.
- iv. When a schedule has been specified for replacements, maintenance and cleaning of some parts or components of the Product, the guarantee is considered valid only in the case the schedule has been followed correctly.

8.3. LIMITATIONS.

- i. This guarantee is to be applied solely to sales to consumers; a "consumer" is he who purchases the Product for purposes that are beyond his professional activity.
- ii. No guarantee is granted in relation to normal wear caused by use of the Product. As for parts, components and/or replaceable or perishable materials such as batteries, bulbs etc. the buyer must respect what is prescribed in the documentation that has been delivered with the Product.
- iii. The guarantee does not cover cases in which the Product: (I) has been treated incorrectly; (II) has been repaired, maintained or manipulated by an unauthorized person or (III) has been repaired and equipped with non original parts. Should the conformity defect be a consequence of an incorrect installation or starting up procedure, this guarantee will cover the defect only if the said installation or starting up procedure is included in the Product sales contract and has been realized by the dealer or under his liability.

9. EC DECLARATION OF CONFORMITY.

Business name:



Shott International S.r.l.
 Via delle Pezze, 35
 35013 CITTADELLA (PD) - ITALY
 Tel. +39 049-9401150
 Fax. +39 049-9409140
 C.F. 03529990289- P.IVA 03529990289
 Cap. Soc. € 250.000,00 i.v. - R.E.A. n. 317778
 Iscritta al n. 03529990289 Reg. Imprese di Padova
 e-mail: infos@shott.it
<http://www.shott.it>

Description and identification of the machinery:

SKIMMER 2000
 SKIMMER 4000

The machinery is fulfils all the relevant provisions of these Directives:

- 2004/108/EC Electromagnetic compatibility (EMC)
- 2006/95/EC Low Voltage (LVD)
- 2002/96/EC Waste electrical and electronic equipment (WEEE)
- 2002/95/EC Use of certain hazardous substances in electrical and electronic equipment (RoHs)

Reference to the harmonised standards used:

- CEI EN 60335-1
- CEI EN 60335-2-41
- CEI EN 55014-1
- CEI EN 55014-2

Place and date of the declaration:

Cittadella 03/04/2009

The identity and signature of the person empowered to draw up the declaration on behalf of the manufacturer or his authorised representative:

Astolfi Radames

			SKIMMER 2000		SKIMMER 4000					
<p>Gancio regolabile Adjustable hook Gancho ajustable Accrochage adjustable Regulierbarer Haken</p>										
			<p>Gancio flexi Flexi hook Gancho flexi Accrochage flexi Flexi-Haken</p>							
<p>Superficie di filtrazione Filtration area Superficie de filtración Surface de filtration Filterfläche</p>						[m ²]		0.2		0.4
<p>Portata Flow rate Caudal Débit Durchflubmenge</p>			Q		[l/h]		2000		4000	
<p>Potenza Power Potencia Puissance Stromstärke</p>			P		[W]		40		60	
			220/230 [V] 50 [Hz]		12 [V] 50 [Hz]		220/230 [V] 50 [Hz]		12 [V] 50 [Hz]	

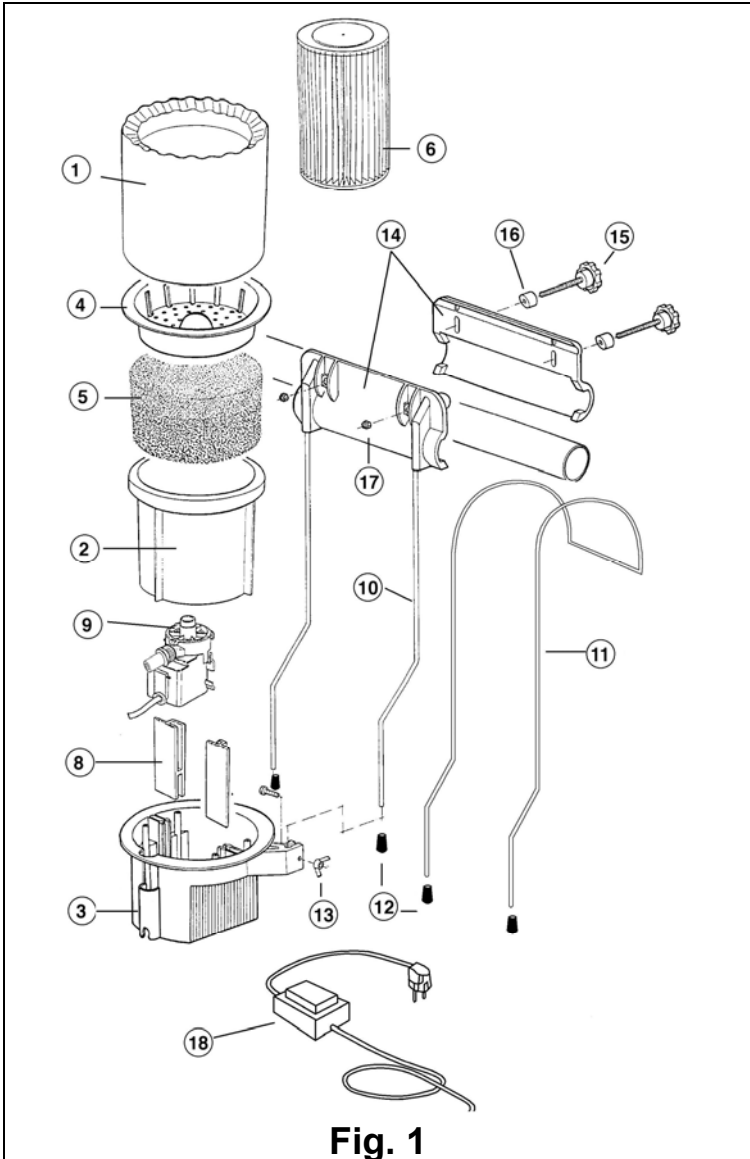


Fig. 1

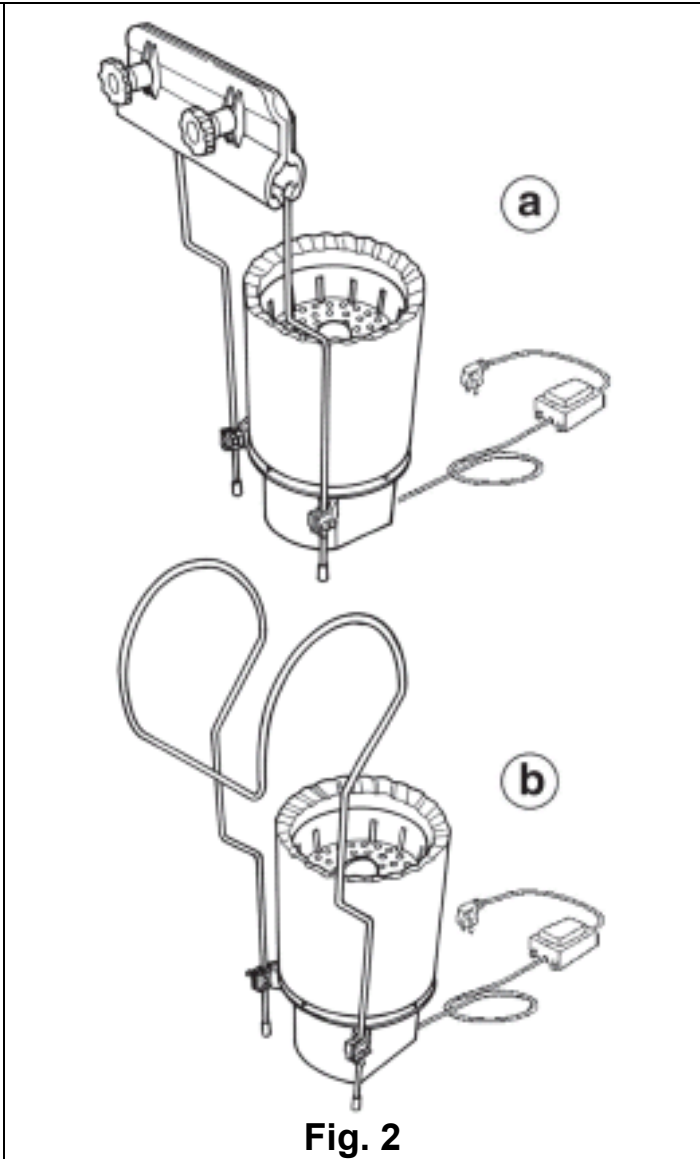


Fig. 2

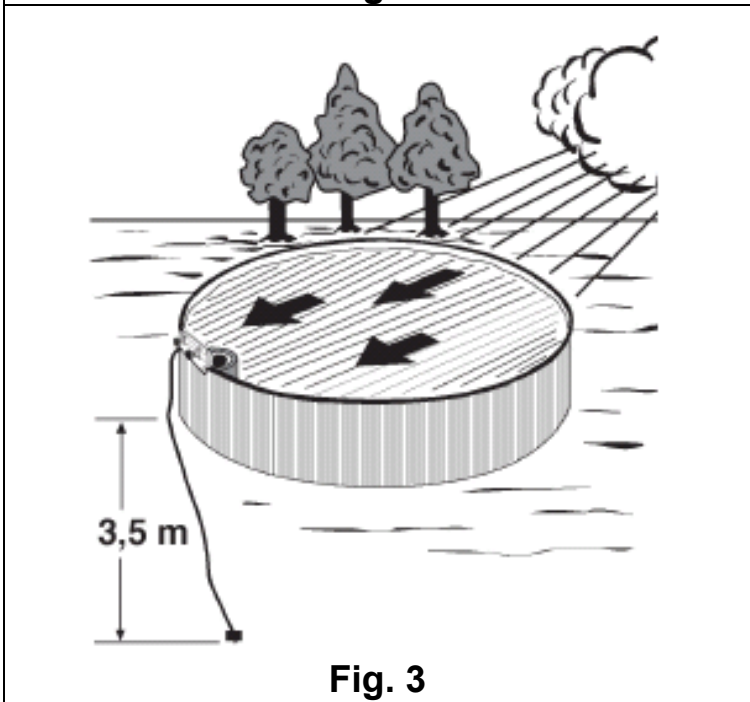


Fig. 3

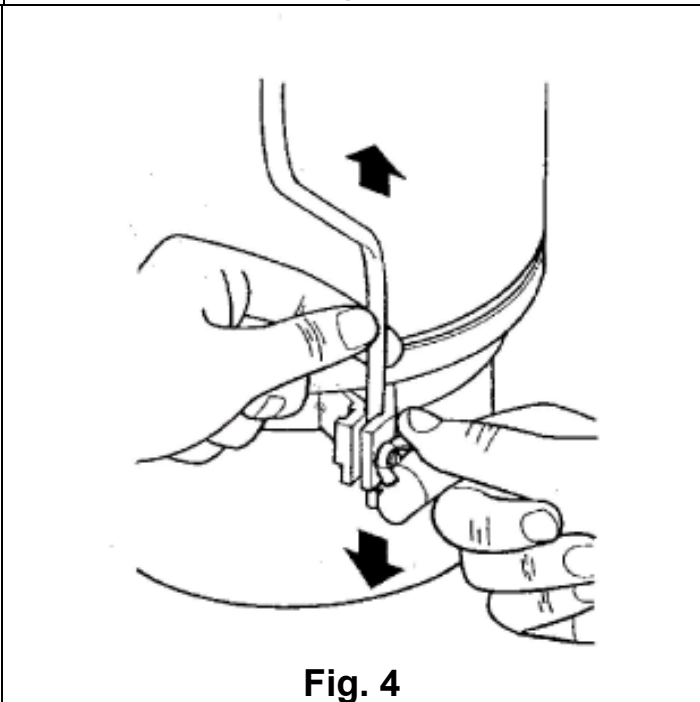
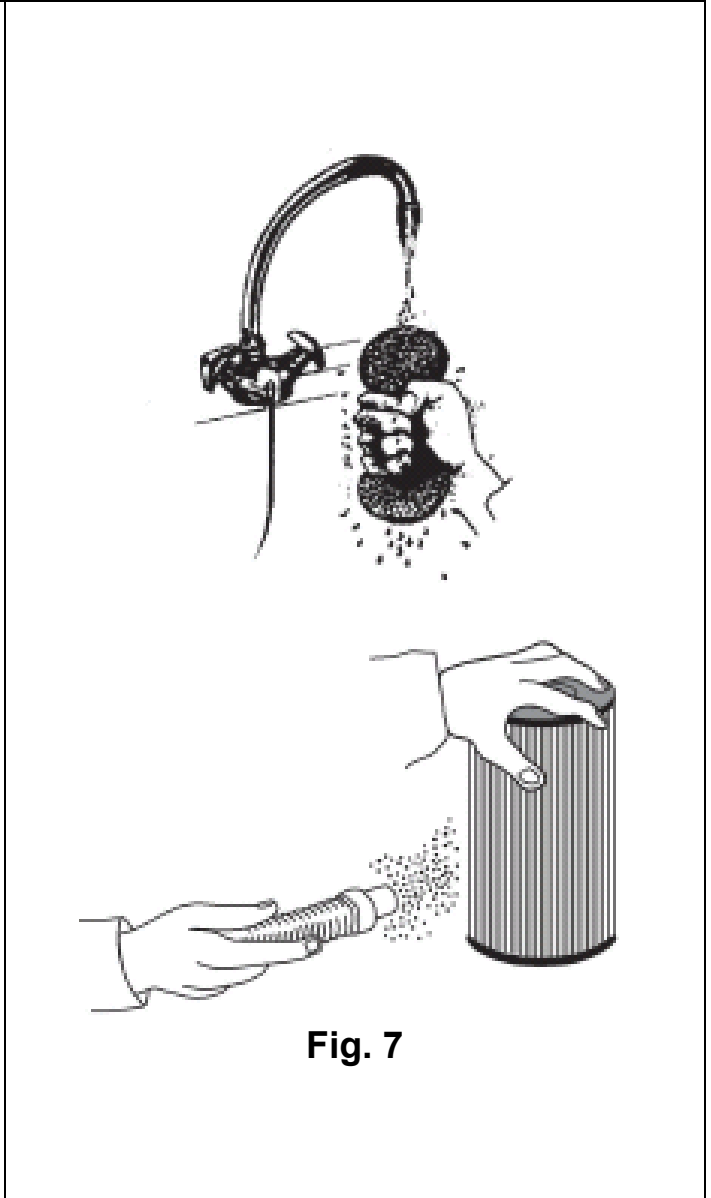
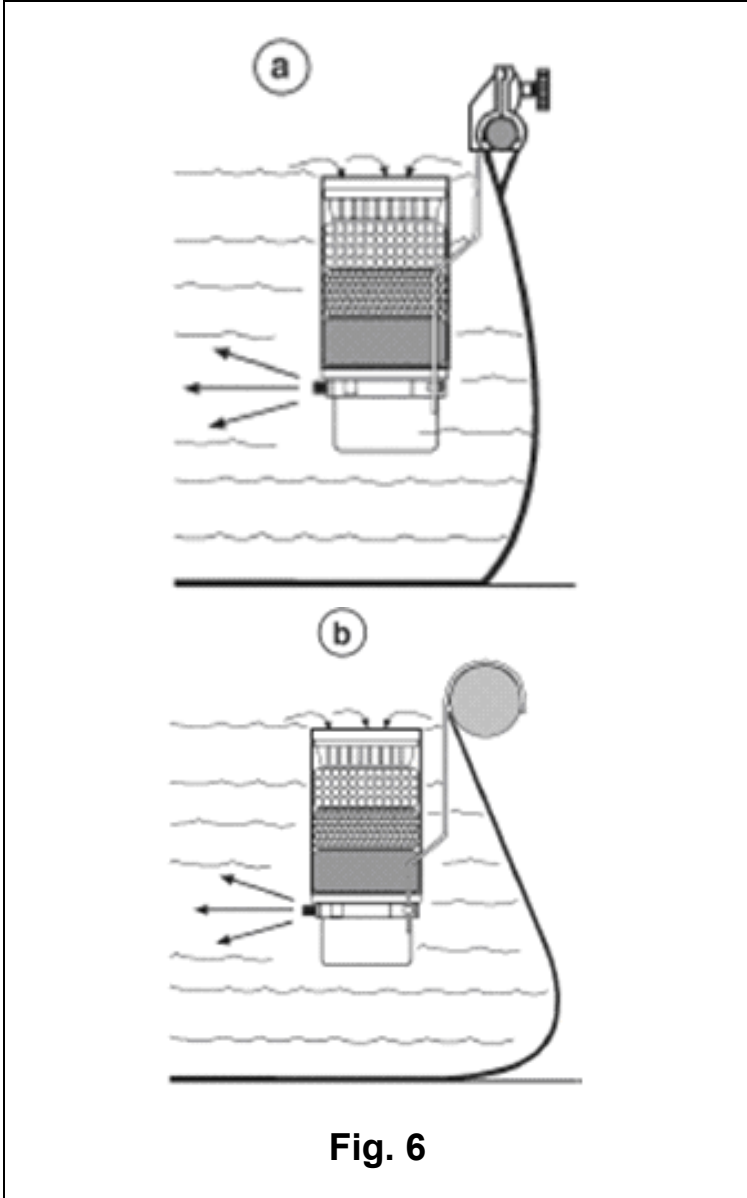
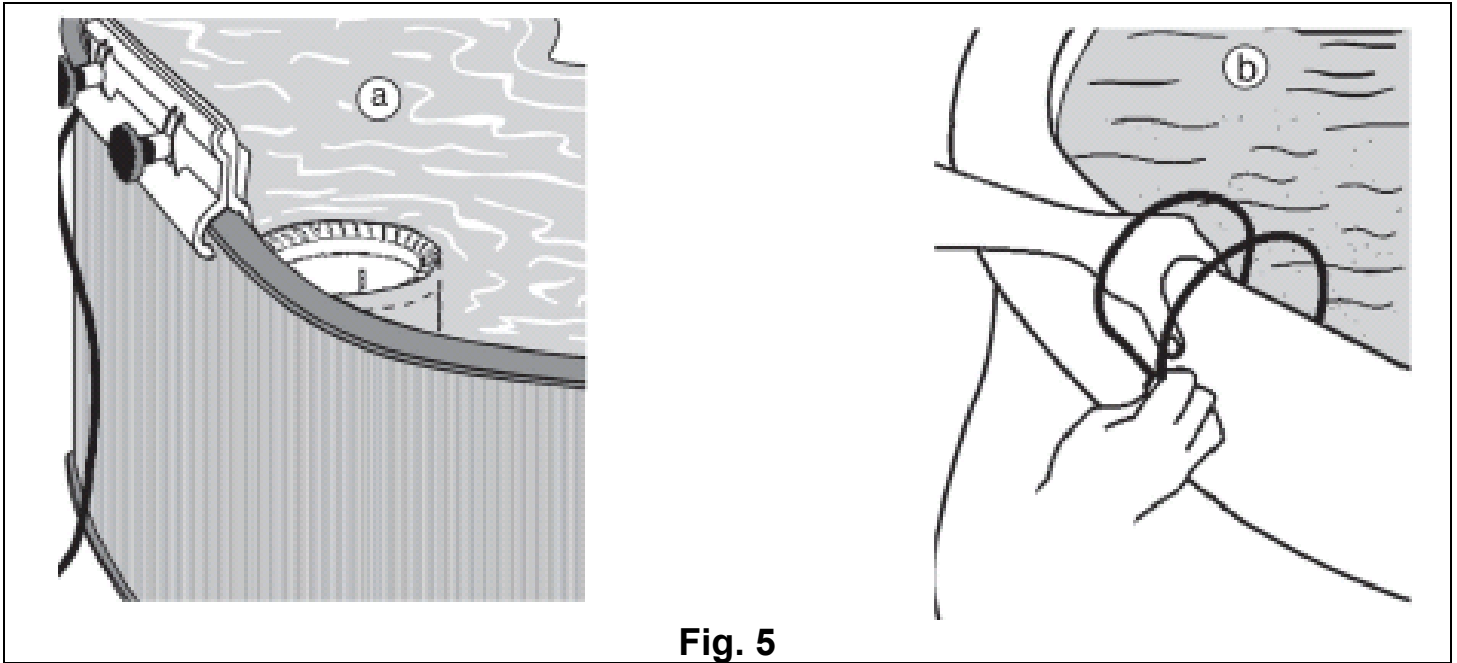


Fig. 4





WASTE OF ELECTRICAL/ELECTRONIC EQUIPMENT
RACCOLTA RIFIUTI DI MATERIALE ELETTRICO/ELETTRONICO
RECOLHA DE RESÍDUOS DE MATERIAIS ELÉCTRICO/ELECTRÓNICOS
ABFALLENTSORGUNG ELEKTRISCHES/ELEKTRONISCHES MATERIAL
RECOGIDA DE RESIDUOS ELECTRICOS/ELECTRONICOS
COLLECTE DES DÉCHETS DE MATÉRIEL ELECTRIQUE/ELECTRONIQUE
VERZAMELING AFVAL ELEKTRISCH/ELEKTRONISCH MATERIAAL
ELEKTRIČNI/ELEKTRONIČKI OTPAD
ODPAD TVOŘENÝ ELEKTRICKÝMI/ELEKTRONICKÝMI ZAŘÍZENÍMI
ODPAD ELEKTRICKÉHO/ELEKTRONICKÉHO CHARAKTERU
ELEKTROMOS ÉS ELEKTRONIKAI BERENDEZÉSEK HULLADÉKAI

(I) Ai sensi dell'art. 13 del Decreto Legislativo 25 luglio 2005, n°151 "Attuazione delle Direttive 2002/95/CE, 2002/96/CE e 2003/108/CE, relative alla riduzione dell'uso di sostanze pericolose nelle apparecchiature elettriche ed elettroniche, nonché allo smaltimento dei rifiuti.

Il simbolo del cassonetto barrato riportato sull'apparecchiatura o sulla confezione indica che il prodotto alla fine della propria vita utile deve essere raccolto separatamente dagli altri rifiuti.

L'utente dovrà, pertanto, conferire l'apparecchiatura giunta a fine vita agli idonei centri di raccolta differenziata dei rifiuti elettronici ed elettrotecnici, oppure riconsegnarla al rivenditore al momento dell'acquisto di una nuova apparecchiatura di tipo equivalente, in ragione di uno a uno.

L'adeguata raccolta differenziata per l'avvio successivo dell'apparecchiatura dismessa al riciclaggio, al trattamento e allo smaltimento ambientale compatibile contribuisce ad evitare possibili effetti negativi sull'ambiente e sulla salute e favorisce il reimpiego e/o riciclo dei materiali di cui è composta l'apparecchiatura.

Lo smaltimento abusivo del prodotto da parte dell'utente comporta l'applicazione delle sanzioni amministrative previste dalla normativa vigente.

(UK) EU directive 2002/96/EC classifies this product as an electrical or electronic tool.

Do Not dispose of this tool as unsorted municipal waste.

Dispose of this tool at a collection or recycling centre according to local and national law.

The consumer has an important role in reducing the disposal of waste by returning waste electronic/electrical tool for recycling.

Recycling avoids the dispersion of hazardous materials into the municipal waste stream.

The crossed-out bin symbol reminds the user not to dispose of this product as unsorted municipal waste.

(ES) La directiva 2002/96/EC clasifica este producto como un aparato eléctrico/electrónico.

No tire este aparato como si fuera un residuo municipal no clasificado.

Tire este aparato en un centro de recogida o de reciclaje según la ley local o nacional.

El consumidor cumple un papel importante en la reducción de la eliminación de residuos, predisponiendo el reciclaje de los aparatos eléctricos/electrónicos.

El reciclaje previene la dispersión de materiales peligrosos en la gran cantidad de residuos municipales.

El símbolo del bidón con una banda transversal recuerda al usuario que no debe tirar este producto como si fuera un residuo municipal no clasificado.

(F) La directive 2002/96/EC classifie ce produit comme appareil électrique/électronique.

Ne pas jeter cet appareil avec les déchets municipaux non classifiés.

Jeter cet appareil dans un centre de collecte ou de recyclage conformément à la loi locale et nationale.

Le consommateur joue un rôle important dans la réduction des déchets, en prévoyant le recyclage des appareils électriques/électroniques.

Le recyclage permet d'éviter la dispersion de matériau dangereux dans la masse des déchets municipaux.

Le symbole du bidon barré rappelle à l'utilisateur de ne pas jeter ce produit avec les déchets municipaux non classifiés.

(D) Gemäß Richtlinie 2002/96/EC wird diese Produkt als elektrisches/elektronisches Gerät eingestuft.

Dieses Gerät nicht als nicht klassifizierten Stadtmüll beseitigen.

Diese Gerät an eine dafür vorgesehene Sammelstelle bringen, gemäß den vorortigen und auf nationalem Gebiet geltenden Gesetzesbestimmungen.

Der Verbraucher kann beträchtlich dazu beitragen den Abfall zu verringern, indem er ein Recycling der elektrischen/elektronischen Geräte vorsieht.

Ein Recycling verhindert, dass gefährliches Material im allgemeinen Stadtmüll beseitigt wird.

Das Symbol mit ausgestrichener Tonne soll bedeuten, dass das damit gekennzeichnete Produkt nicht als nicht klassifizierter Stadtmüll zu beseitigen ist.

