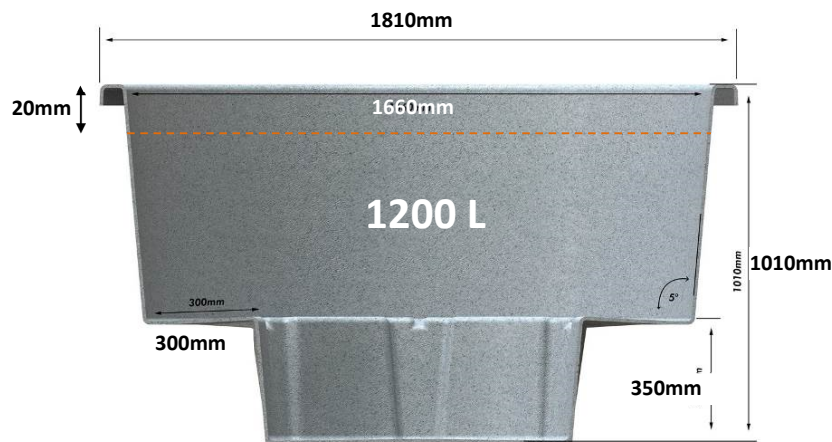


FINNTub



WARNING!

- A. Verify that the product has not been damaged during shipping when unpacking the product. If damages are discovered, report in that case, to the delivery company.
- B. Read the technical instructions before installing the bath
- C. We are not responsible for product malfunction or damages if our instructions are not followed during installation.
- D. Read the users instructions before using the bath
- E. Do not leave children in the bath without supervision
- F. For safety, energy consumption and cleanliness, we recommend using a lockable cover when the bath is not in use and during heating.
- G. **ATTENTION!** If the hot tub will be countersunk e.g. in a terrace it is necessary that the access is not obstructed in any way order to be able to service it. Service hatches should be removable without a problem.
- H. Check the quality of the water, as well as temperature and function, regularly, don't leave the spa unmonitored for long time periods.
- I. If automatic dispensers (floating, etc.) are used, careful adjustment should be made to avoid incorrect dosage. Follow the recommendations in our instructions.

Read the instructions carefully and save them for future needs.

The hot tub is for outdoor use only.

WARNINGS

- Danger! - Risk of drowning (especially for children under 5 years). Pay attention to and prevent children from using the hot tub without permission. An adult supervisor must prevent children from having access to the hot tub on their own.
- Use a lockable lid or other protective device that prevents access. When children use the hot tub, the adult must be supervised.
- The temperature in the hot tub should never exceed 40 ° C. A lower temperature is recommended, especially for children and for longer stays.
- High water temperatures increase the risk of birth defects early in pregnancy. Therefore, pregnant women should use the hot tub with lower water temperatures and shorter periods.
- The user must always consider their state of health when using the hot tub.
- Always check the water temperature in the hot tub before using it.
- The use of alcohol, drugs or medicines before entering the hot tub or during the use of the hot tub may cause unconsciousness and a risk of drowning.
- Avoid swallowing water.
- There must be a telephone and a list of emergency numbers near the hot tub.

See separate document for water hygiene!

RECYCLING OF THE PRODUCT

The metal parts of the product are taken to the metal recycling and the wooden parts can be incinerated. Pressure impregnated wood is environmentally hazardous waste. Wooden frame and exterior wood panel can be incinerated. Other parts are mixed waste.



PVC

PVC-plastic; Pipes

Landfill waste



HDPE

HDPE-plastic; the plastic hot tub itself

Can be incinerated, can be removed, for example, as energy waste.



PS

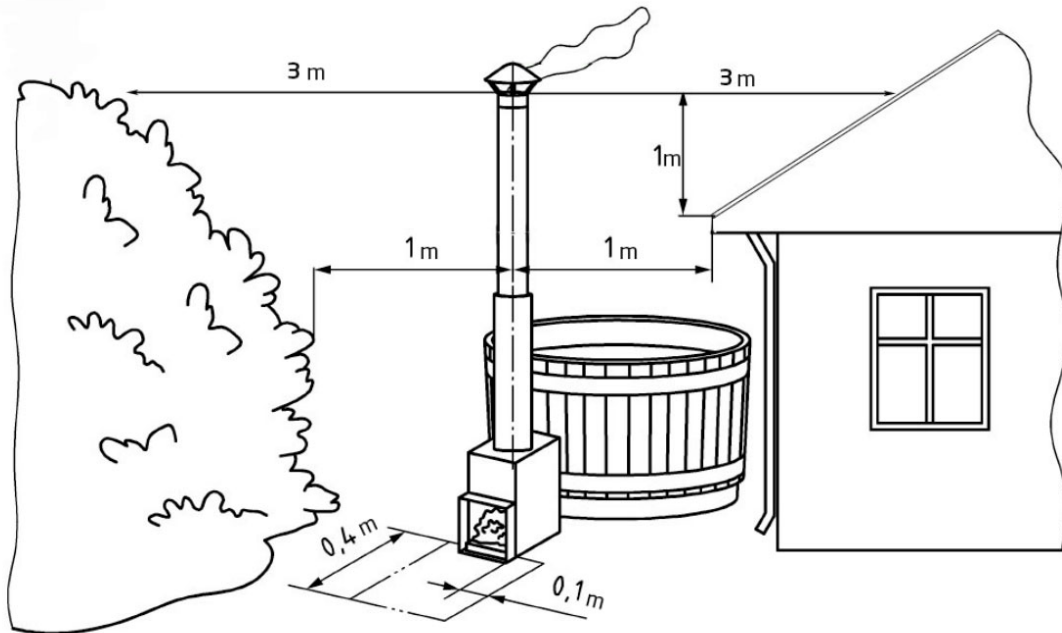
EPS Insulation, bottom and panel insulation on insulated models

Can be incinerated, can be removed, for example, as energy waste.

IMPORTANT SAFETY INFORMATION

When placing the hot tub near buildings, the distance between the fireplace chimney and combustible structures must be at least that shown in the sketch. Remember to check the distance both sideways and vertically. It is important to prevent the risk of ignition. Local regulations may vary.

There must be no flammable material in front of and under the stove. As an example, refractory material such as sand, metal plate or concrete can be laid in front of the stove according to the attached picture. The outer surface of the stove does not get hotter than the water as it is double-jacketed with water in between. Both the chimney and the front and door of the stove will still be hot.



Filling of water

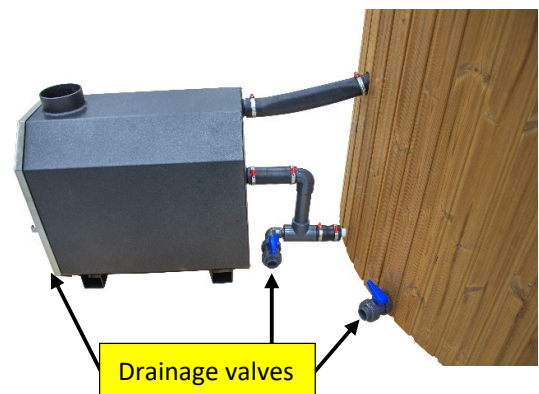
Filling is generally done with a garden hose connected to the water mains. If another water source is used, take special consideration regarding the potential for bacteria. Read the instructions on water hygiene and the use of chemicals.

Remember that the water level will rise by approx. 5 cm when an average-sized person sits in the Hot Tub. This is equivalent to 80 liters of water. The water level should be 20 cm below the edge when empty. The total amount of water to heat up is subsequently reduced by ca. 200 liters. If the Hot Tub is completely filled, this amount of water will flood over the edges when the users sit down.

Minimum water level: The water level in the barrel must always be at least 5 cm above the stove's upper connection pipe before you start firing in the stove (picture to the right).

Firing in the fireplace!

- Never empty the barrel of water if there is still burning wood or embers left in the stove as there is a great risk that the material in the stove will then melt or be damaged.
- If it is frozen in a pipe or stove, never light wood or other material in the stove as it will be damaged.

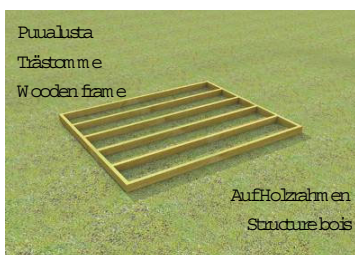


Cleaning the hot tub - After the water has been used in a hot tub so it should be emptied out. The hot tub is then rinsed out with clean fresh water. If the water has been in it for a long time, it should also be scrubbed with soap. If you have a stove from SpaDealers so it should always be emptied of water.

Heating device - Always read the separate instructions supplied with the heating device, for example, wood stove or gas heater. Be sure to follow them and take also into account the possible risk of freezing.

Managed correctly, you will bathe in a SpaDealers hot tub for many years.

Foundation and placement options



Place the Hot Tub on a stable base and not directly on the ground.



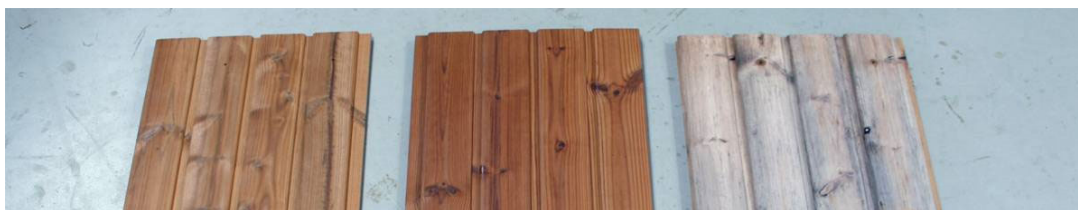
Maintenance

The wood on the outside must be treated with wood oil annually. The oil must be suitable for hard wood or heat treated wood and provide UV protection. It would be also good if it contains a slight brownish nuance in order to provide more protection.

Untreated

Oiled

Untreated > 3 years



If you have any questions, please contact us at +358-10-239 5600 or info@spadealers.fi

We wish you many wonderful bathing days.