

# AquaClarus

## 1. INSTALLATION AND SAFETY INSTRUCTIONS

- Carefully read the manual before installing the AquaClarus filtration system and follow the instructions on installation and how to use it.
- Save the manual for future needs.
- Never use AquaClarus when there are people in the bath/pool.
- AquaClarus is designed for hot tubs and smaller pools.
- AquaClarus is equipped with a transformer (12 V) and can be hung over the edge of the bath/pool, but the transformer must be placed at least 3.5 m from the edge of the bath/pool.
- The electrical connection (230 V) must comply with safety regulations and be equipped with a ground-fault circuit breaker.
- Never pull on the electrical cables. If the cable is damaged, AquaClarus must not be used.
- Do not use AquaClarus without water.
- Never touch the unit with wet hands or body and do not put your hands in water while AquaClarus is in use.
- Always disconnect the electrical connection before handling the unit.
- Do not stand in water or wet surfaces when handling the electrical connection.
- Do not allow children or adults to lean on the unit when it is in use.
- When AquaClarus is in use, electrical connection must be easily accessible.
- AquaClarus is for private use only.
- Do not let children play with the unit or be in the water when it is in use.
- Maximum water temperature: 35 ° C.
- Minimum water temperature: 4° C.

## 2. PACKAGING CONTENTS

AquaClarus is a very functional and easy-to-use filtration system. It consists of various components that are necessary to filter water, filter and pump are parts of the system.

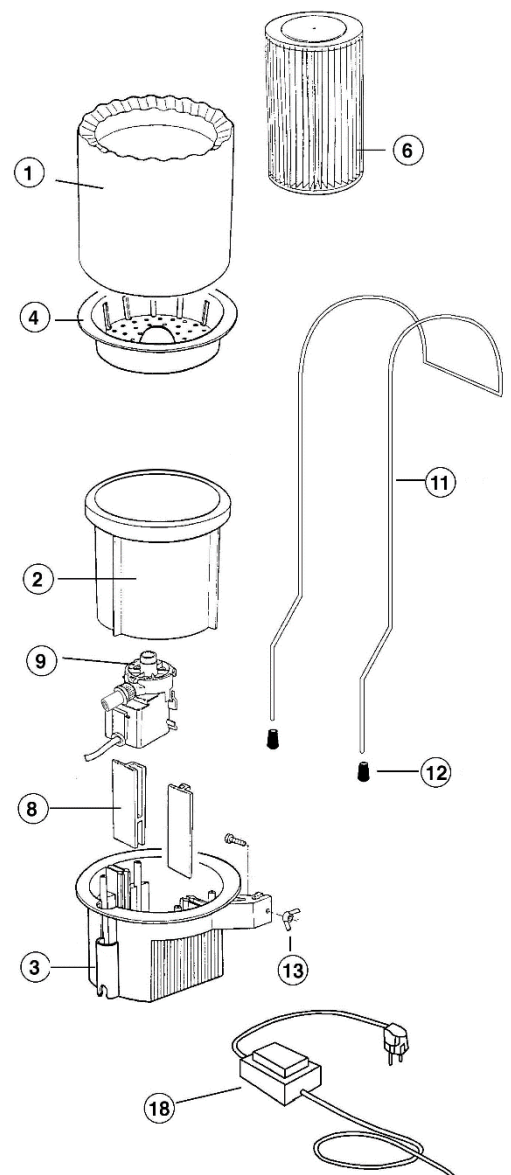
The main parts are:

Number	Designation
1	Float
1	Frame
1	Pump holder
1	Coarse filter
1	Filter cartridge
1	Suspension (adjustable, Flexi)
2	Rubber cover
2	Wing nut and screw
1	Transformer with power cord

Check that the AquaClarus contains the above.

## 3. DESCRIPTION (Fig. 1)

1. Float
2. Frame
3. Pump holder
4. Coarse filter
5. 6. Filter cartridge
8. Pump support
9. Pump. 10.
11. Suspension Flexi
12. Rubber cover
13. Wing nut and screw
14. 15. 16. 17. N/A
18. Transformer with power cord



## 4. INSTALLATION

### 4.1. SIMPLE ASSEMBLY

Thanks to the simple design, AquaClarus can be assembled by an adult in approx. 30 minutes. Carefully read the instructions in the manual.

### 4.2. INVESTMENT

Place the AquaClarus in the direction of the strongest winds if it is windy. It transports surface water and dirt more easily towards the filter system. The transformer must be placed at least 3.5 m from the edge of the bath/pool. See Fig. 3.

#### SUSPENSION INSTALLATION:

- Put the suspension's two "rods" in the intended holders that are cast into the pump holder. Fit the rubber covers and pull the "rods" up as high as possible. Do it carefully so that the white protective plastic is not damaged as this leads to the suspension starting to rust. Tighten the wing nuts on both sides. See Fig 4. Note! Depending on the water level in the bath, it may be necessary to adjust the position of the suspension so that the float is held firmly and the water is sucked into the filter. The level down to the water surface from above the edge should be approx. 15 cm.
- Take AquaClarus to the bath/pool.
- Place the suspension and AquaClarus over the edge and let it sink into the water so that all the air disappears from the filter and it remains in a vertical position (Fig. 6). If there is air when it is started, it can float up and the filter will not be held in place.

#### ELECTRICAL CONNECTION

- The electrical connection (230 V) must comply with safety regulations and be equipped with a ground-fault circuit breaker.
- The transformer must be placed at least 3.5 m from the edge of the bath/pool.

## 5. FUNCTION

The function of the filtration is based on the ability of the filter cartridge to bind dirt to itself. The surface water is sucked via the float and coarse filter further through the filter cartridge where the dirt gets stuck. For good water hygiene, chemicals such as pH regulators, chlorine, etc. must also be used. Ask the seller what is recommended or visit our website, [www.spadealers.eu](http://www.spadealers.eu) for more information. During certain periods of the year, pollen, leaves and the like can mean that the filter cartridge needs to be cleaned regularly (see CLEANING 5.2) . NEVER add CHEMICALS directly to the coarse filter. This can damage the material and reduce the ability to filter the water effectively. DO NOT USE FLOCCINATING AGENTS!

### 5.1. FILTRATION

Before turning on the AC, always first check that no one is using the bath/pool. The equipment lasts longer if the usage time does not exceed 4 hours at a time. The time for filtration depends on the amount of water in m<sup>3</sup> and how dirty the water is. In general, a filtration time between ½-2 hours should be enough. If the water is hot, a longer filtration time is required. Allow the pump to stand still for at least 2 hours between each use.

### 5.2. CLEANING THE FILTER CARTRIDGE

Clean the filter cartridge regularly but at least once a week. Follow these recommendations.

- Disconnect the electrical connection.
- Lift the AquaClarus out of the bath/pool and let the water drain.
- Remove the float and the coarse filter and lift out the filter cartridge or turn the AquaClarus upside down to release the cartridge.
- Rinse it clean with e.g. shower or garden hose. See (Fig. 7). NEVER use high pressure washing as high pressure damages the material of the filter cartridge. ATTENTION! If the filter cartridge has been used longer, it must also be "cleaned in depth" with e.g. FilterCleaner.
- Clean the inside of the frame before putting the filter cartridge back as described in point 4.2 under "INSTALLATION OF SUSPENSION"
- An extra filter cartridge can be good to have as a spare. Depending on use and care, the filter cartridge wears out and must be replaced when the filtering capacity decreases.

## 6. ELECTRICAL COMPONENTS

To guarantee electrical safety, the pump is of a protection class that guarantees that it can be submerged in water. If a cable or any component is damaged by external factors, the entire pump unit must be replaced.

### 6.1. REPLACEMENT OF PUMP UNIT

If a cable or any component is damaged, do the following:

- Disconnect the AquaClarus from the electrical outlet.

- Lift the AquaClarus out of the bath/pool.
  - Disconnect the pump's connection from the transformer.
  - Loosen the four screws that secure the pump holder to the bottom of the frame. Carefully lift out the pump and its connection cable. ▪ Mount the new pump and connection cable in the opposite order and tighten the four screws.
  - Install the AquaClarus in the bath/pool as previously described under point 4 INSTALLATION
- WARNING : the transformer is equipped with an automatic reset thermal protection, which cuts off the current from the transformer if the temperature gets too high. When the temperature has dropped enough, reset takes place automatically and the dance former works normally.

## 7. WINTER SEASON -MAINTENANCE

To store the equipment during the winter season and when the equipment is not in use for longer periods, the AquaClarus should be stored in a dry and protected space. It is removed from the bath/pool, the float and coarse filter are removed as well as the filter cartridge. Dry all parts with a soft cloth or other suitable material. The AquaClarus can be used during the winter season if it is kept in water with a temperature between 4-35 ° C. If there is a risk of the water in the AquaClarus freezing, it must not be used. Never leave it out in the cold if there is the slightest risk of frost damage.

## 8. GUARANTEE.

### 8.1. GENERAL

IN . In accordance with these regulations, the retailer warrants that the product covered by this warranty (the "Product") is free from defects upon delivery.

II. The warranty period for the Product is two (2) years, counted from the time it is delivered to the buyer.

III. If a defect in the product occurs, which is covered by the warranty, the buyer must report it to the dealer during the warranty period, the dealer may repair or replace the product at his own expense and at the place he finds most convenient.

IV. If it is not possible to repair or replace the product during the warranty period, the buyer can demand a reasonable price reduction or, if the defect is large, cancel the purchase.

V. Parts replaced or repaired during the warranty period do not extend the warranty of the original product.

WE. For the warranty to apply, the buyer must be able to confirm the purchase and delivery date of the product.

VII. These warranty regulations do not limit or affect the consumer's rights according to national legislation..

### 8.2. SPECIAL CONDITIONS

I. The warranty covers the product to which this manual relates.

II. These warranty conditions can only be applied in countries within the European Union.

III. For the warranty to apply, the buyer must follow what appears in the manual.

IV. If any component or other has been replaced, the warranty only applies if this has been done according to the manufacturer's instructions.

### 8.3. LIMITATIONS

I. This warranty shall apply only to sales to consumers, a "consumer" is the person who purchases the product for private use, the warranty does not apply if the product is used for commercial purposes.

II . The warranty does not apply to normal wear and tear, for e.g. filter cartridge, which occurs when using the product.

III . The warranty does not cover cases where the Product: (I) has been treated incorrectly, (II) has been repaired or maintained by an unauthorized person or (III) has been repaired with other than original parts. If a defect is caused by incorrect installation or incorrect use, the warranty only applies if such a procedure is included in a separate purchase agreement issued by the dealer and for which he has taken responsibility.

## 9. EC DECLARATION OF CONFORMITY

Company name: Shott International Srl

Via delle Pezze, 35 35013 Cittadella (PD) - ITALY

Tel. +39 049-9401150 Fax. + 39 049-9409140

CF 03529990289 - P. IVA 03529990289 Cap. Soc. € 250,000.00 iv - SALE n. 317778 Iscritta al n. 03529990289 Reg.

Imprese di Padova e-mail: [infos@shott.it](mailto:infos@shott.it) [http: \ \ www.shott.it](http://www.shott.it) Description and identification of the machine:

SKIMMER (AquaClarus) 4000

The product complies with all applicable provisions of these directives:

- 2004/108/EC electromagnetic compatibility ( EMC) - 2006/95/EC Low Voltage Directive (LVD) - 2002/96/EC waste electrical and electronic products (WEEE) - 2002/95/EC use of certain hazardous substances in electrical

and electronic products (RoHS) Reference to the harmonized standards used: - CEI EN 60335-1 - CEI EN 60335-2-41 - CEI EN 55014-1 - CEI EN 55014-2 Place and date of declaration: Cittadella 03/04/2009

Identity and signature of the person who authorized to draw up the declaration on behalf of the manufacturer or his representative:

Astolfi Radames

## WARNING!!!

When the filter holder is lifted out of the water, it must be supported with one hand from below. Otherwise, the attachment that holds the hanger can come off because the water in the filter holder causes it to become "front-heavy" and this leads to a break that can cause the attachment to break. **THIS IS NOT COVERED BY WARRANTY.**

## FILTER CLEANING

It is not enough to simply rinse the surface of the filter cartridge, but it must also be kept in a solution that dissolves grease and the like from time to time. Dishwasher detergent works well. Let the filter sit for a day, then rinse thoroughly. If the filter cartridge is not cleaned properly, the lamellas may be torn by the suction force. **THIS IS NOT COVERED BY WARRANTY.**



## Crystal clear bathing water with new technology!

Filter balls (also called Filterballs) have a superior filtering effect compared to normal filter sand or cartridge filters. The balls, which are a mixture of polyester fibers, form an effective filter surface that adapts to the shape of the filter, which collects floating particles in the water down to 10 micrometers.

### Provides clean and crystal clear bathing water.

Superior filtering effect compared to filter cartridge. Captures suspended particles in the water down to 10 microns. No maintenance or need for extra flocculants.

Filter balls are also much easier to handle.

When used in filter systems, they can be cleaned by hand washing in a bowl (do not use detergent). The contents of the large bag of filter balls correspond to 8 traditional cartridge filters. The filter balls are packed in 8 mesh bags and can also be cleaned in the washing machine at 40 degrees without detergent and at the lowest spin speed. Filter balls can be thrown away with the household waste.

